



# LPR SERIES LOW-PROFILE WARNING LAMPS

- Super Low-Profile
- Fully ECE Approved
- Exclusive LED Autolamps Design
- Shock, Water and Dust Proof, Highly Durable

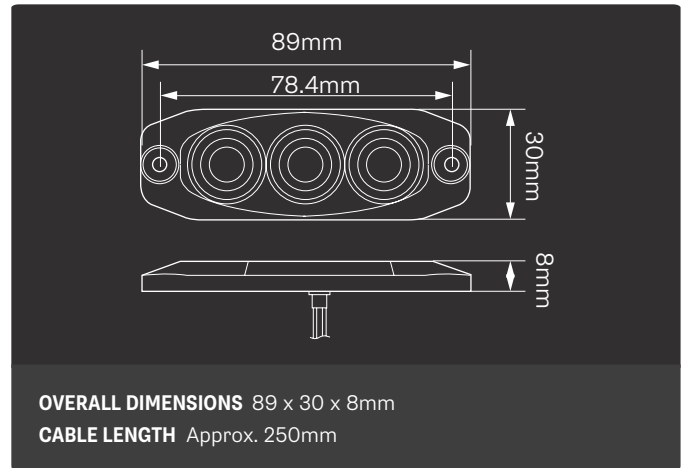
**IP67**  
100%  
WATERPROOF

**2**  
TWO YEAR  
WARRANTY



**LPR653DVA** (Amber)  
**LPR653DVB** (Blue)  
3-LED R65 Approved Warning Lamp

**R65**  
ECE  
APPROVED



**LPR103DVA** (Amber)  
**LPR103DVB** (Blue)  
**LPR103DVW** (White)  
**LPR103DVR** (Red)  
3-LED R10 Approved Warning Lamp

**R10**  
ECE  
APPROVED

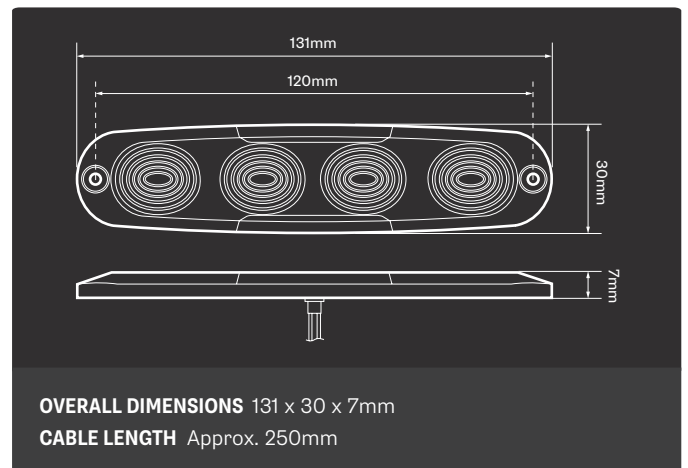
- 12/24V Multivolt
- Low Current Draw
- 3W High-Brightness LEDs
- 11 Selectable Flash Patterns
- Synchronise Up To 20 Lamps
- Current Draw: Max 0.84A

**electraQuip**



**LPR104DVA** (Amber)  
**LPR104DVB** (Blue)  
**LPR104DVW** (White)  
**LPR104DVR** (Red)  
4-LED R10 Approved Warning Lamp

**R10**  
ECE  
APPROVED



- 12/24V Multivolt
- Low Current Draw
- 3W High-Brightness LEDs
- 11 Selectable Flash Patterns
- Synchronise Up To 20 Lamps
- Current Draw: Max 0.21A

**electraQuip**

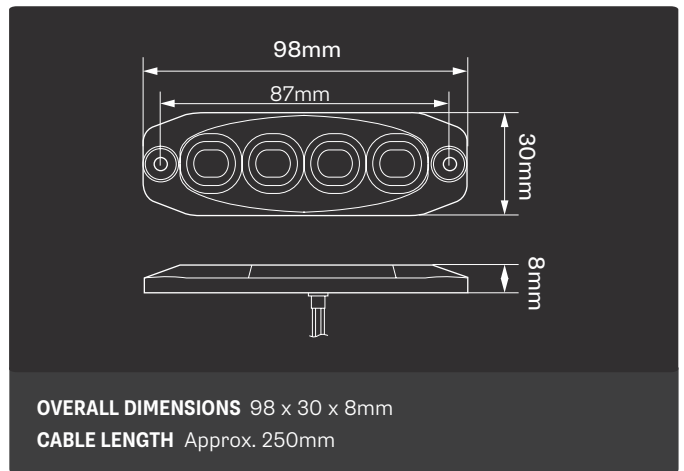


# LPR SERIES LOW-PROFILE WARNING LAMPS

- Super Low-Profile
- Fully ECE Approved
- Exclusive LED Autolamps Design
- Shock, Water and Dust Proof, Highly Durable

**IP67**  
100%  
WATERPROOF

**2**  
TWO YEAR  
WARRANTY



**LPR654DVA** (Amber)

**LPR654DVB** (Blue)

4-LED R65 Approved Warning Lamp

**R65**  
ECE  
APPROVED

- 12/24V Multivolt
- Low Current Draw
- 3W High-Brightness LEDs
- 11 Selectable Flash Patterns
- Synchronise Up To 20 Lamps
- Current Draw: Max 0.74A

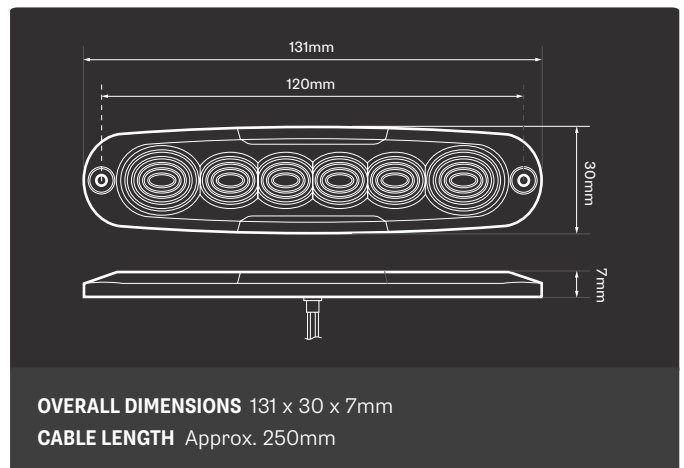
**LPR654DVW** (White)

**LPR654DVR** (Red)

4-LED R10 Approved Warning Lamp

**R10**  
ECE  
APPROVED

**electraQuip**



SUPER LOW PROFILE DESIGN



**LPR656DVA** (Amber)

**LPR656DVB** (Blue)

6-LED R65 Approved Warning Lamp

**R65**  
ECE  
APPROVED

- 12/24V Multivolt
- Low Current Draw
- 3W High-Brightness LEDs
- 19 Selectable Flash Patterns
- Synchronise Up To 20 Lamps
- Current Draw: Max 0.84A

**electraQuip**